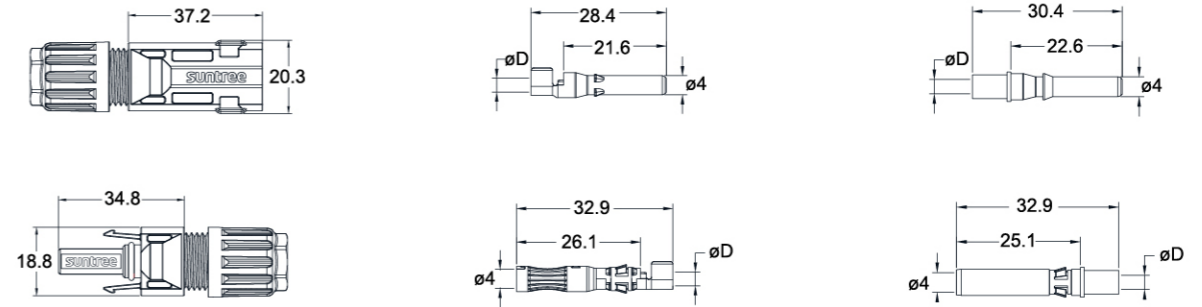


1500V DC PV Connector

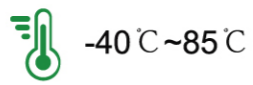
PMCN Series



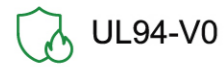
Dimension:(mm)



IP 68



-40°C~85°C



UL94-V0



UV Resistance



Technical Data

Rated current:	40A (Stamped Pin) 70A (Lathed Pin)
Rated voltage:	1500V DC
Test Voltage:	8kv(5Hz, 1min)
Contact resistance:	< 0.35 mΩ
Applicable wire specifications:	2.5/4.0/6.0/10.0mm ² (14/12/10/8AWG)
Insulation Materials:	PPE
Terminal material:	Copper,Tin plated
Temperature range:	-40°C~85+°C (IEC)
Overvoltage category pollution degree:	CATIII/2
Degree of protection:	UL94-V0
Flame class:	UL94-V0
Safety class:	II
Insertion force Withdrawal force :	≤ 50N / ≥ 50N
Connecting system	Crimp connection

Order NO.	Part P/N		Cable spec	
	Connector	Terminal	Conductor size	Cable OD(øD1)
PMCN40-CM-14	PMCN40-CMMM-H PMCN40-CFPM-H	PMCN40-CM-MT14 PMCN40-CM-FT14	AWG14(2.5mm ²)	ø4.5~ø8.5
PMCN40-CM-12		PMCN40-CM-MT12 PMCN40-CM-FT12	AWG12(4.0mm ²)	ø4.5~ø8.5
PMCN40-CM-10		PMCN40-CM-MT10 PMCN40-CM-FT10	AWG10(6.0mm ²)	ø4.5~ø8.5
PMCN40-CM-8		CN40-CM-MT8 CN40-CM-FT8	AWG8(10mm ²)	ø4.5~ø8.5
PMCN40-CM-01		CN40-CM-MT01 CN40-CM-FT01	AWG10/12/14 (6.0/4.0/2.5mm ²)	ø4.5~ø8.5

PMCN Plus Connectors

PMCN Plus Series



Product Overview

PMCN Plus Series connectors use high quality weather resistance materials that guarantee long-term reliability. PMCN Plus could match 16mm² to 25mm² cables, it could be widely used in different applications. The lower contact resistance and higher current transfer capability ensure high product efficiency. PMCN connectors have IP68 water-proof rating and can be used in a wide operating temperature range from -40 °C to 125 °C.



- IP 68
- 40 °C ~125 °C
- IEC 1500V
UL 1500V
- UL94-V0
- UV Resistance
- TUV PPP
UL 4128

Technical Data

Rated Voltage	IEC 1500V & UL1500V
Standard by	TUV PPP; UL 4128
Rated Current	120A
Ambient Temp	-40 °C up to +125 °C
Contact Resistance	60.25mΩ
Pollution Degree	Class II
Protection Degree	Class II
Fire Resistance	UL94-V0
Rated Impulse Voltage	16KV



Order Data

Part NO	Series Model	Components	Cable Spec	Rated Current	Rated Voltage	Remark
PMCNC061	PMCN 16	Male	PMCN-M16	100A for 25mm ²	1500V	
		Female	PMCN-F16			
PMCNC062	PMCN 25	Male	PMCN-M25	120A for 25mm ²	1500V	
		Female	PMCN-F25			
Part NO	Name	IP Spec	PIC	Package		
E6C061	Female Connector water proof Plug	IP51		500pcs/bag		
E6C062	Male Connector water proof Plug	IP51		500pcs/bag		

PMCN Connectors for Al cables

PMCN for Aluminum Cables



- IP 68
- 40 °C ~48 °C
- UL94-V0
- UV Resistance
- IEC62852
UL 6703
- IEC 1500V
UL 1500V

Product Overview

PMCN Series connectors use high quality weather resistance materials that guarantee long-term reliability. PMCN could match 6.0mm² to 16mm² Al Alloy cables, it could be widely used in different applications. The lower contact resistance and higher current transfer capability ensure high product efficiency. PMCN connectors have IP68 water-proof rating and can be used in a wide operating temperature range from -40 °C to 85 °C

Technical Data

Rated Voltage	IEC 1500V & UL1500V
Certification	IEC 62852; UL 6703
Rated Current	Max 70A
Ambient Temp	-40 °C up to +85 °C
Contact Resistance	≤0.25mΩ
Pollution Degree	Class II
Protection Degree	Class II
Fire Resistance	UL94-V0
Rated Impulse Voltage	16KV

Order Data

Part NO	Series Model	Components	Cable Spec	Rated Current	Rated Voltage	Remark
PMCNA001	PMCN7122	Housings	PMCN-A-M10 PMCN-A-F10	10AWG-8AWG/6mm ² -10mm ²	30A for 6.0mm ²	1500V With NEC lock
		Terminals	PMCN-A-M10 PMCN-A-F10			
PMCNA002	PMCN 10015	Housings	PMCN-A-M16 PMCN-A-F16	8AWG-6AWG/10mm ² -16mm ²	50A for 10mm ²	1500V With NEC lock
		Terminals	PMCN-A-M16 PMCN-A-F16			
Part NO	Name	IP Spec	PIC	Package		
PMCNC031	Female Connector water proof Plug	IP65		500pcs/bag		
PMCNC032	Male Connector water proof Plug	IP65		500pcs/bag		
PMCNC033	Female Connector dust proof Plug	IP51		500pcs/bag		
PMCNC034	Male Connector dust proof Plug	IP51		500pcs/bag		

SOLARLOK SPV4-S CONNECTOR 1500V DC

The SOLARLOK SPV4-S connector is an upgrade of the industry leading SOLARLOK SPV4 connector to meet a minimum 1500V rating with IP68 protection. The SOLARLOK SPV4-S connector has been tested to assure reliable and safe connections of solar arrays. The connectors use industry standard crimp tooling that is readily available and used by installers today.

Applications

- Solar panels
- Inverters
- Micro inverters
- DC optimizers

Materials

- Housing: PPE & PS
- Contact: Tinned copper

Mechanical

- 63mm x 24.5mm (Male)
- 59.5mm x 18.7mm (Female)
- Protection Degree: IP68 (1m / 24 hours)

Specifications

- Product Specification: 108-137077
- Application Specification: 114-137077
- PV4-PV4-S Intermateability: 501-137294



Standards

- 1000V DC / 1500V DC UL approved - UL6703
- 1000V DC / 1500V DC TUV approved - IEC62852

Benefits

- Provides waterproof protection and is rated IP68 (1 m / 24 hours)
- Minimizes power loss by providing low contact resistance

Electrical

- UL 15 A and TÜV 30 A:
- UL 20 A and TÜV 40 A:
- UL 30 A and TÜV 45 A:
- Rated Voltage:
- Contact Resistance:

2.5 mm² / 14 AWG (at 85 °C)
 4.0 mm² / 12 AWG (at 85 °C)
 6.0 mm² / 10 AWG (at 85 °C)
 1000V DC / 1500V DC (UL)
 1000V DC / 1500V DC (TUV/IEC)
 0.35mΩ

Product Selection Information

Part Number	Description
S2270024-1	Pin connector
S2270025-1	Socket connector

Dimensions

